



www.kontec.ae

ETATRON D.S.
Pompe Dosatrici – Metering Pumps

MADE IN ITALY

PKX solenoid dosing pumps

Technical features

Flow rate:	from 1 to 10 l/h
Maximum pressure:	up to 6 bar
Power supply:	220/240 V, (50/60 Hz)
Stroke rate:	120 impulses/minute maximum
Pump head:	PP (optional PVC, stainless steel 316, PTFE)
Diaphragm:	PTFE
External casing:	PP
Installation kit:	action strainer, injection valve, 2m tubing

This series of solenoid pumps PKX is characterized by easy use, high reliability, high quality and compact pump build.

The PKX pumps are universal and ideal for pumping chemicals in a range of uses such as swimming pools, car washes, water treatment facilities etc.

The main characteristics of PKX pumps include ingress protection of IP65, frame of PP, the possibility of mounting on the wall or standing.

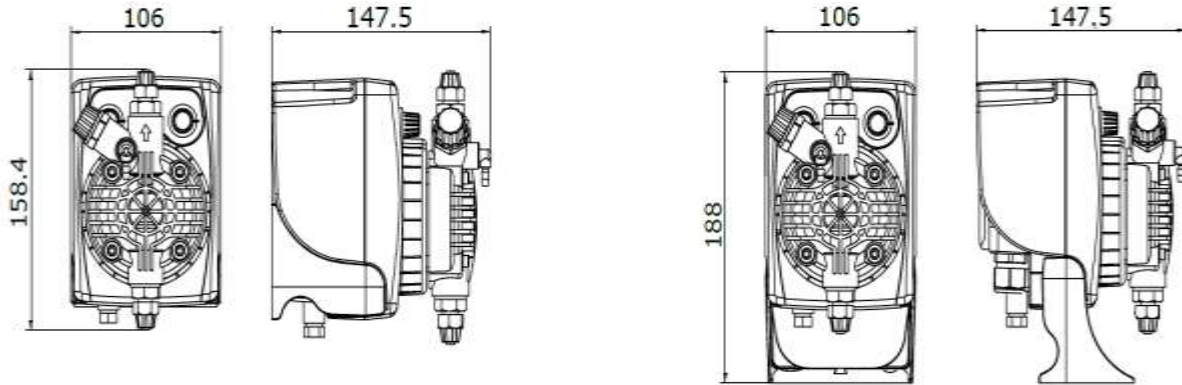
Manual air vent of the pump, floating level gauge, small size. Each pump is delivered with an assembly set.

x - standard o - optional



PKX	MA/A	FT/A
Analogic Manual mode	X	-
Digital Manual mode	-	-
Level input	O	-
Flow sensor	-	-
adjustble 0/4-20 mA input	-	-
Reed water meter input	-	X
pH input	-	-
Rx input	-	-
Cl input	-	-
CD input	-	-
Pt100 input	-	-
relay output	-	-
mA output	-	-
Proximity switch	-	-

Technical data pumps PKX



* The figures below are based on dosing water at 20°C

Model	Flow rate l/h (gal/h)	Pressure Bar (psi)	Injection volume (ml)	Max.frequency (impuls/min)	Power supply (V/Hz)	Power consumption (W)	Weight (kg)
0105	1(0,26)	5(72)	0,14	120	220/240V 50/60Hz	32	1,9
0206	2(0,53)	6(87)	0,28				
0303	3(0,78)	3(43)	0,48				
0505	5(1,32)	5(72)	0,69				
0507	5(1,32)	7(101)	0,75				
0702	7(1,84) 10(2,64)	2(29) 1(14)	0,97 1,39				

